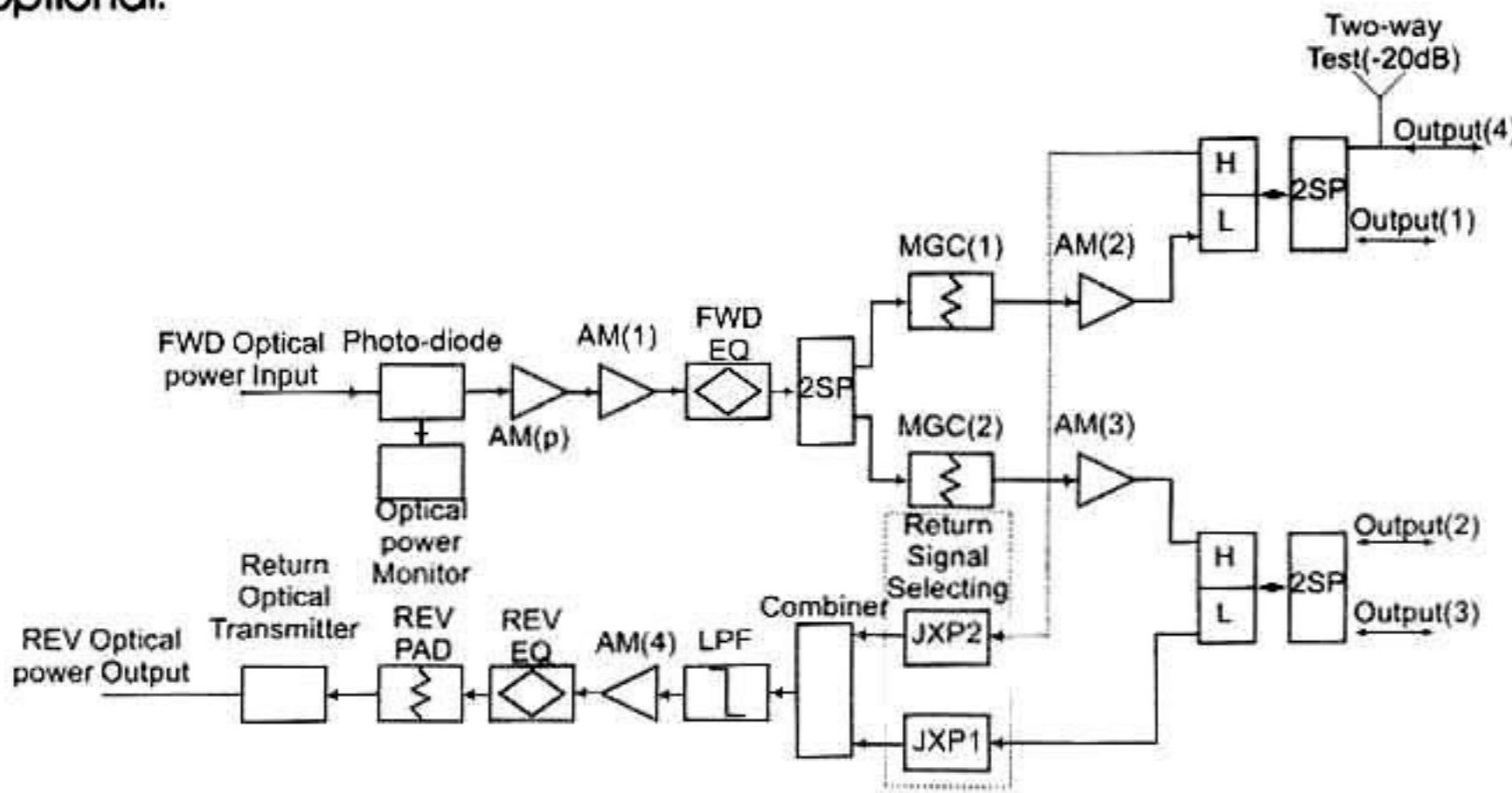


STOR-860 Optical Receiver

Features:

- ✦ Use high sensibility photodiode.
- ✦ Use low noise figure amplifier as first RF amplifier that improves CNR, when optical power received is low.
- ✦ Return path signal select by change plug-in short line.
- ✦ Built-in AC60V feed power port independently.
- ✦ High efficiency switching power supply.
- ✦ 1~4 output ports optional.

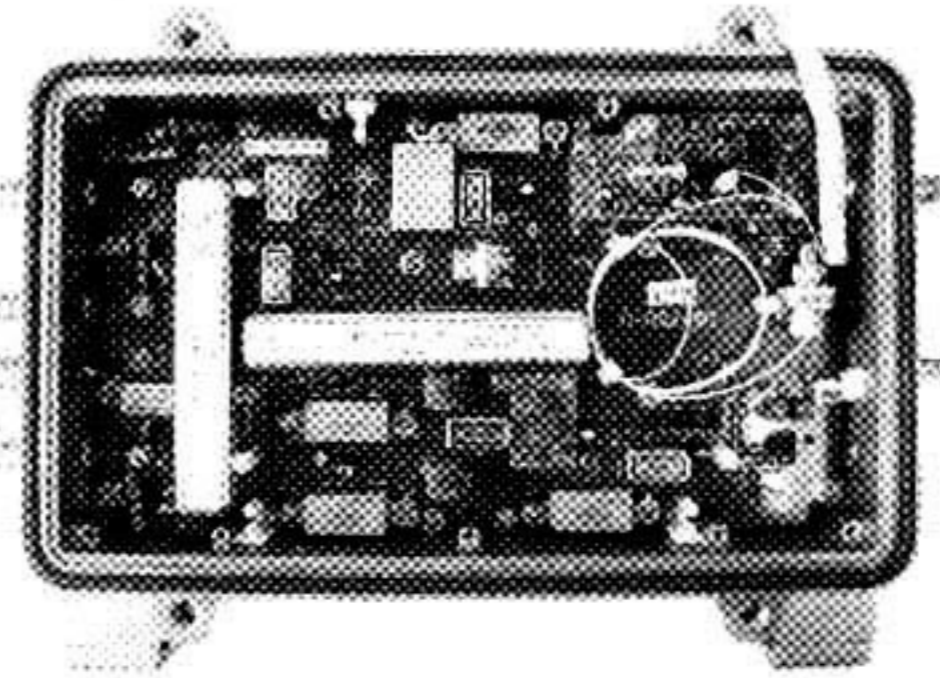


STOR-860 Functional Block Diagram

Specifications:

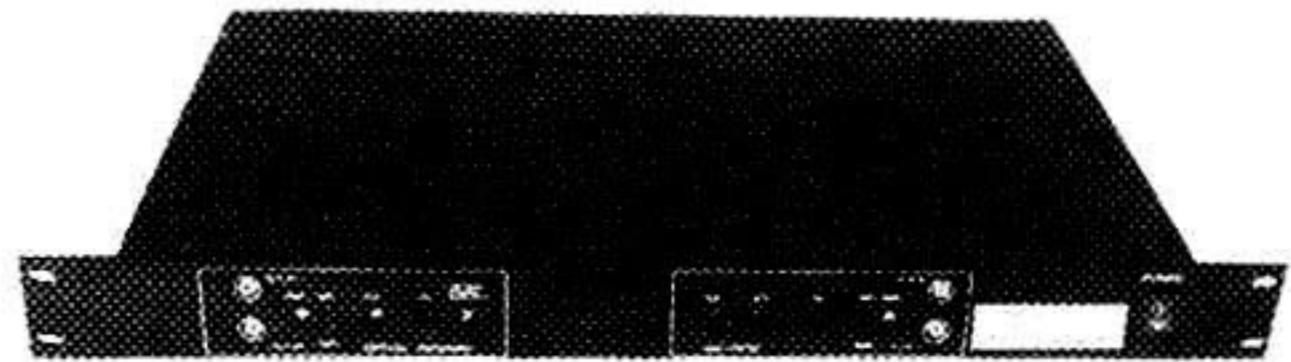
1. Optical input:

Optical connector	FC/APC
Photodiode responsivity	> 0.85mA/mW
Return loss	> 55dB
Input optical power	-6dBm~+1dBm(recommend)
Wavelength	(1310nm~1550)nm



2. Forward path RF output specifications:

Forward frequency range	(47~860) or (47~750)MHz
Flatness	±0.75 dB
Output level	> 104dB μV × 4@0dBm input optical power
Return loss	> 14dB
MGC	(0~10)dB adjustable or 2dB step
MSC	(0~10)dB adjustable or 2dB step
Output test loss	(20 ± 1)dB



3. Return path RF specifications:

Frequency range	(5~200)MHz
RF Gain	20dB
Input level	(80~85)dB μV
Output attenuator	(0~10)dB adjustable or 2dB step
Output equalizer	(0~18)dB adjustable or 2dB step
Output level test loss	(20 ± 1)dB

4. Return path optical transmitter:

Wavelength	1310nm
Laser type	FP-LD
Optical output power	(0.5~2)mW
Optical connector	FC/APC

5. Forward path link specifications:

CNR	≥ 51dB
CSO	≤ -60dB
CTB	≤ -65dB

6. Others:

Power supply	AC 220V or AC 60V
Power consumption	40VA
Ambient temperature	(-45~+55)°C
Ambient humidity	5~95% No cold cream

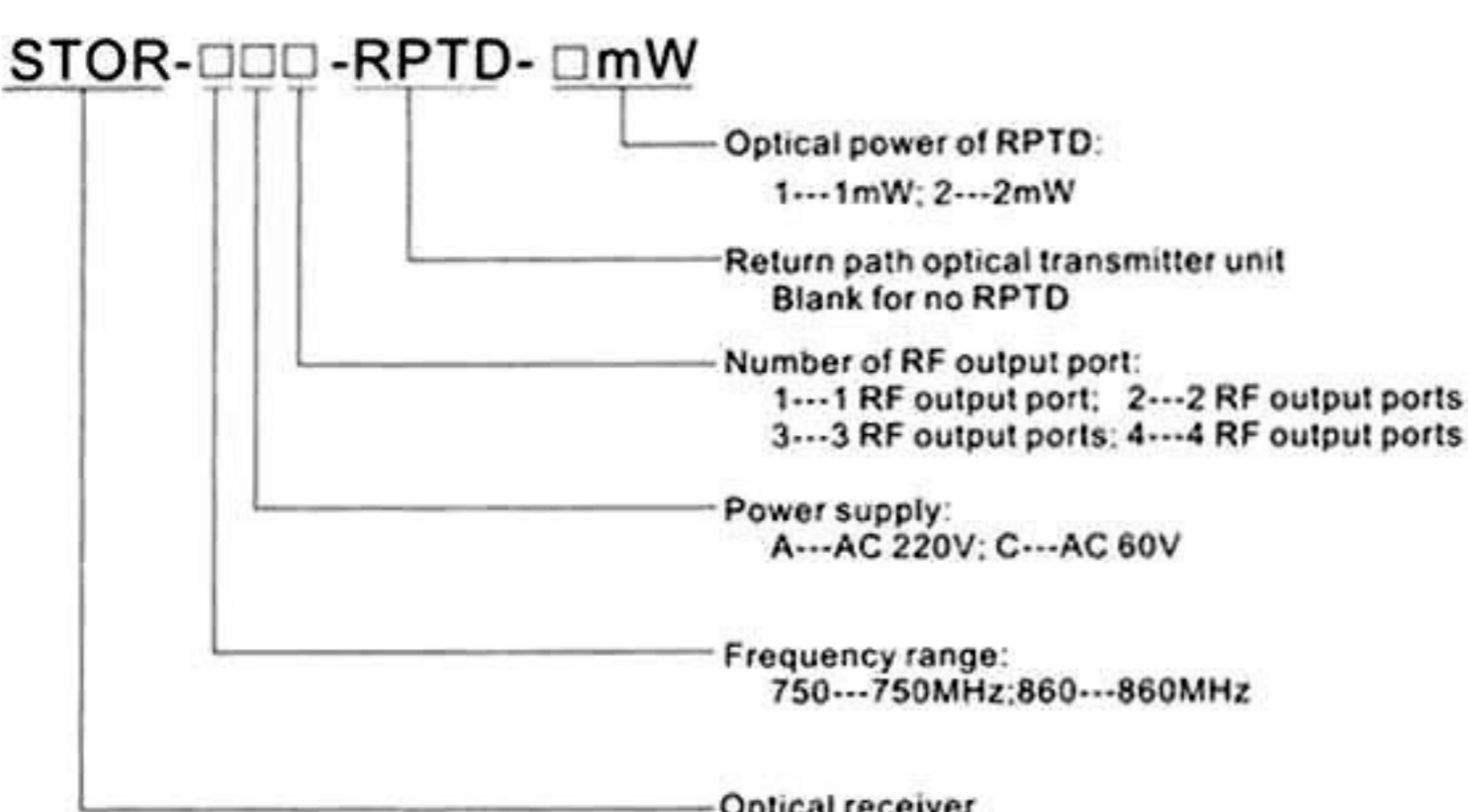
Ordering information:

- ✦ Basic equipment includes: Main board, forward optical receiver and power supply.
- ✦ Select fixed or adjustable attenuator.
- ✦ Select fixed or adjustable equalizer.
- ✦ Select the frequency separating point for forward and reverse path on duplex filter.
- ✦ Select reverse path hybrid module.
- ✦ Select return optical transmitter
- ✦ Select power supply: AC 220V or AC 60V
- ✦ Select number of output port: 1~4

User connector

- ✦ Optical connector: FC/APC
- ✦ Optical fiber type: Mono-model
- ✦ RF connector: F type

Model Explanation



e.g.:

STOR-860A4-RPTD-2mW-----STOR-860 optical receiver, 860MHz frequency range, power supply AC 220V, 4 RF output ports, 2mW reverse optical power.