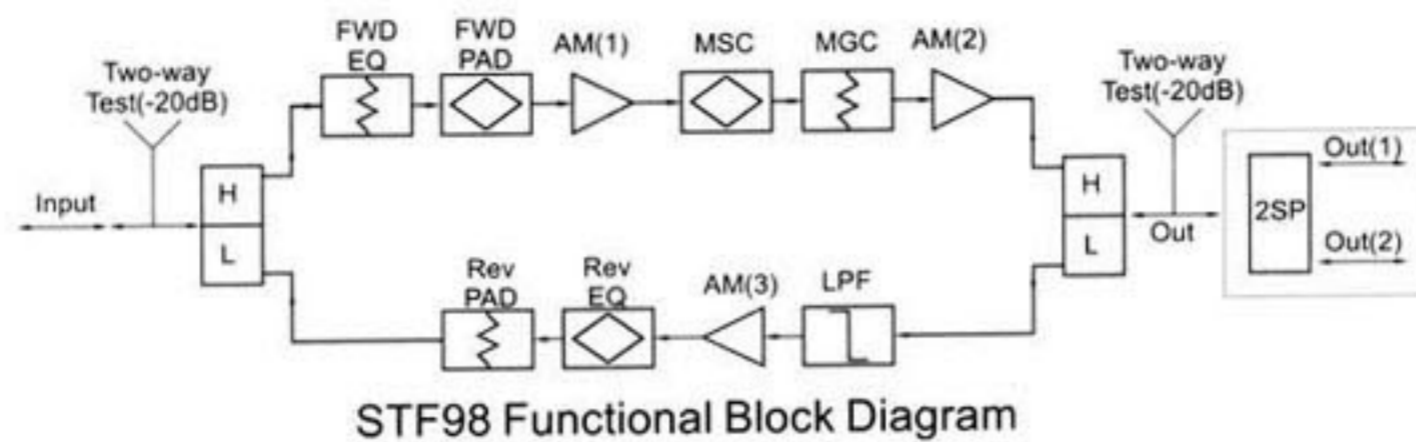


STF98 Series Broadband Communications Amplifiers



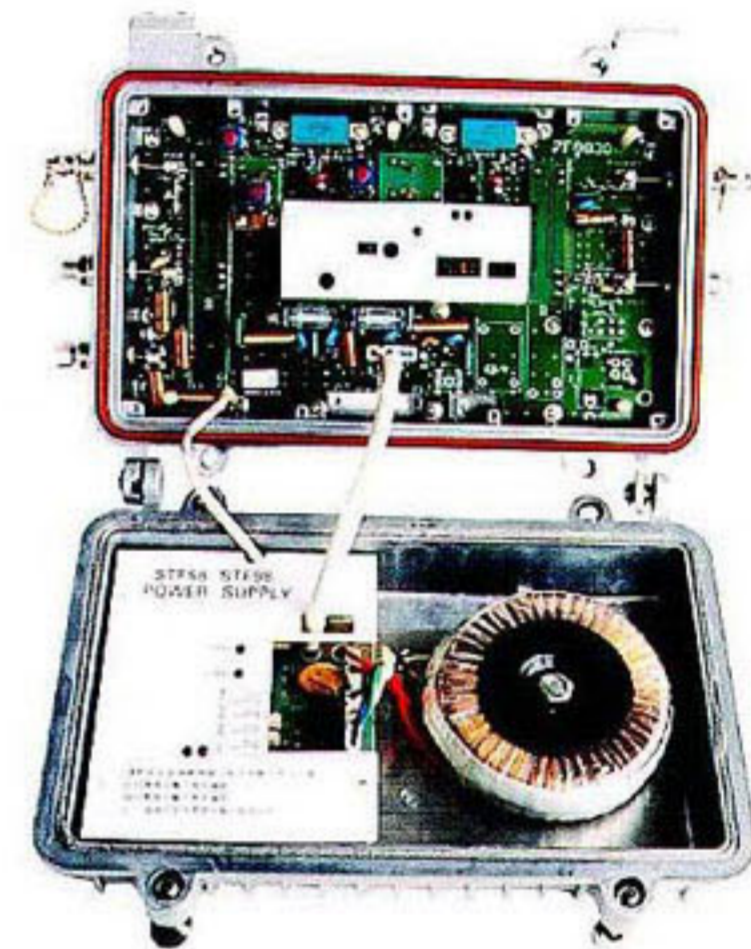
Features:

- ✦ Base supports 1000MHz frequency range, it is convenient for system up-grading.
- ✦ AGC change to MGC automatically design of AGC card by China patents No.95109215.4.
- ✦ The AGC circuit is compatible with slope compensation at AGC card, there are level monitor. when pilot signal lost AGC change to MGC automatically.
- ✦ There are frequency response compensator to improve flatness.
- ✦ Power supply built-in voltage director, voltage selector and voltage monitor.
- ✦ The STF98 built-in Multi-safety includes discharge diode, TVS diode, NTC resistor, PTC resistor.

Ordering information:

- ✦ Basic equipment: base, power supply, forward amplifier.
- ✦ Options: diplex filter, reverse amplifier, AGC card, fixed (or adjustable) equalizer, fixed (or adjustable) attenuator.
- ✦ Power supply: AC 220V or AC 60V.

Specifications:



Model	One-way	Two-way	
		Forward	Reverse
Freq range(MHz)	45-750/45-862	User select	User select
Manual gain control(dB)	± 0.75	± 0.75	± 0.5
Rated gain(dB)	30	28	15
Recommended gain(dB)	28	26	15
Forward input attenuator	(0-10)dB adjustable, or 2dB step	(0-10)dB adjustable, or 2dB step	/
Forward input equalizer	(0-20)dB adjustable, or 2dB step	(0-20)dB adjustable, or 2dB step	/
Manual gain control(dB)	(0-10)dB adjustable, or 2dB step	(0-10)dB adjustable, or 2dB step	/
Manual slope control (dB)	(0-10)dB adjustable, or 2dB step	(0-10)dB adjustable, or 2dB step	/
AGC pilot (recommend)	495.25MHz Recommend high pilot	495.25MHz Recommend high pilot	/
AGC accuracy (dB)	± 3/ ± 0.3	± 3/ ± 0.3	/
ASC accuracy (dB)	± 3/ ± 0.5	± 3/ ± 0.5	/
Noise figure(dBMax.)	8	10	7
Max output level(dB μ V) ①	120	120	120
Rated output level(dB μ v)	102	100	/
CSO(dB) ②	66	74	/
XM(dB) ②	70	78	/
CTB(dB) ②	76	80	60
HM(dB)		66	
Output port		One or Two	
Testing port loss(dB)		-20 ± 1.5	
Return loss(dBMin.)		14	
Thunder stroke immunity		5KV(5/700 μ s)	
Ambient temperature		(-20~+50)°C	
Power supply		AC 220V ± 10% or AC(30~60)V	

Note: ① Test by DIN45004B. ② Test condition: 60 channel loading with flat, at rated output level.