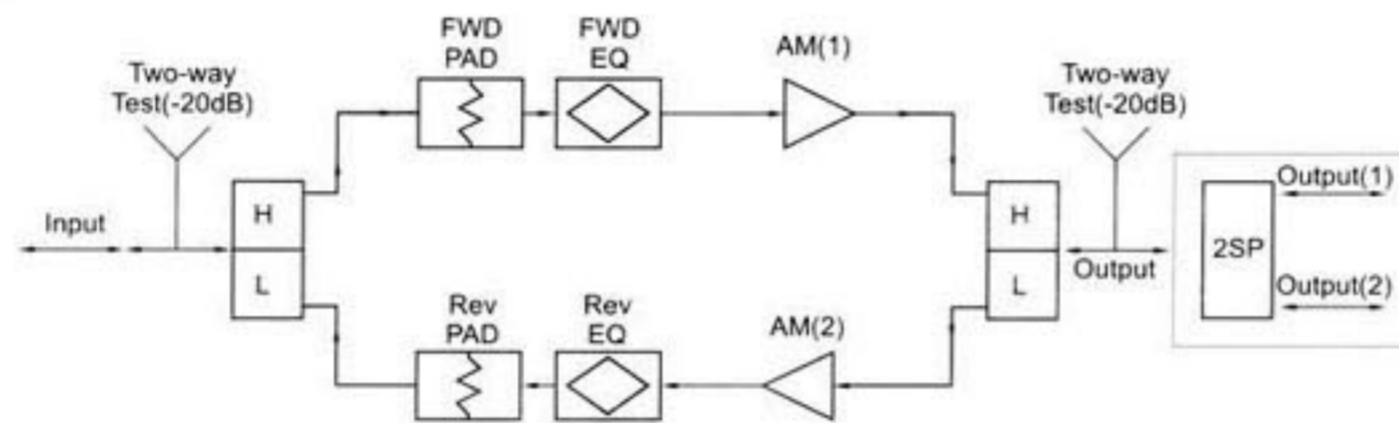


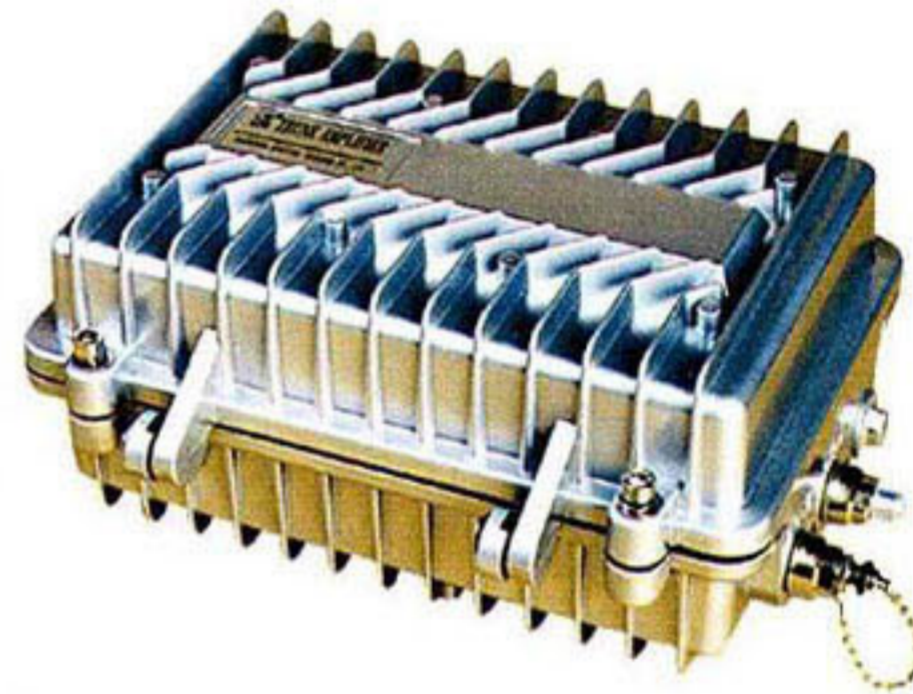
## STF38R Series Two-way Distribution Amplifiers



STF38 Functional Block Diagram

### Features:

- ✦ Gain stages are single module for forward and return path.
- ✦ Power supply built-in voltage director and voltage selector.
- ✦ The STF38R Built-in Multi-safety includes discharge diode, TVS diode, NTC resistor.
- ✦ STF38R base supports 1000MHz Frequency range. It is convenient for system up-grading.



### Ordering information:

- ✦ Basic equipments include: base, power supply, forward amplifier.
- ✦ Options: diplex filter, reverse module, fixed (or adjustable) equalizer, fixed (or adjustable) attenuator.
- ✦ Power supply: AC 220V or AC 60V.

### Specifications:

Parameter	One-way	Two-way	
		Forward	Reverse
Frequency range (MHz)	45-750/45-862	Users Select	
Flatness (dB)	± 0.75	± 0.75	± 0.5
Rated gain (dB)	32	30	15
Rated input level (dB μ v)	72	72	\
Forward input attenuator (dB)	(0-10) dB adjustable, or 2dB step		
Forward input equalizer (dB)	(0-20) dB adjustable, or 2dB step	(0-10) adjustable dB, or 2dB step	
Noise figure (dBMax.)	8	10	8
Max. output level (dB μ v) ①	120	120	≧ 120
Rated output level (dB μ v)	104	102	\
CTB (dB) ②	58	62	\
XM (dB) ②	62	66	≧ 60
CSO (dB) ②	72	74	\
HM (dB)	66	66	\
I/O test loss (dB)	-20 ± 1.5		
I/O return loss (dBMin.)	14		
Thunder stroke immunity	5KV (5/700 μ s)		
Ambient temperature	(-25~+50) °C		
Output port	one or two		
Power supply	~ (38-65) V or ~ 220V		

Note:

① Test by DIN45004B

② Test condition: 60 channels loading with flatness, at rated output level.